



# Quick Ship Solutions



**Contact Us**  
866-454-6757



**Meridian Corporate Headquarters**  
312 South Pine Street,  
Aberdeen, NC 28315

# Skip the Line & Save on Lead Times!

Order one of Meridian's Standardized, Quick-Ship Solutions

## Digital Signage



Presenza  
page 2



Pulse  
page 3

## Check-in Solutions



Navigator Lite  
page 4



G3  
page 5

# MERIDIAN

## PRESENZA

As Meridian's flagship interactive digital advertising kiosk, the Presenza is the epitome of form and function. Designed to provide seamless unattended self-service for a variety of industries, the Presenza is the perfect solution for wayfinding and digital advertising to the largest possible audience.

### AVAILABLE COMPONENTS:

- Speaker
- LED Lights
- Card Reader
- WiFi or Cellular Connectivity
- HD Camera
- Scanner

### POWDER COAT COLOR OPTIONS:



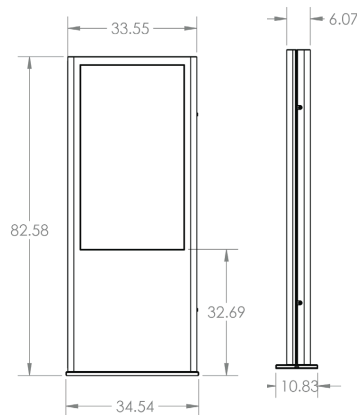
Black Silver White Custom

Custom Pantone Matching Available  
Full Color Lexan Laminated Graphics Available

### SCREEN SIZE: 43"



43"



For More Information

[SALES@MZERO.COM](mailto:SALES@MZERO.COM) | 866 454 6757



Speakers

Standard

LED Light

### STANDARD CONSTRUCTION:

- Durable 14 Gauge Steel Enclosure
- High Quality Powder Coat
- Standard Security Locks
- ADA Compliant

### DIMENSIONS:

Height: 82.5"      Width: 33.5"  
Depth: 6"      Weight: ~450 lbs  
Base Plate: 34.5" x 10.8"

\*Dimensions and drawings for other screen sizes available upon request

### SCREEN:

- High Definition LED
- 1920x1080P Resolution
- 16:9 Aspect Ratio

### POWER:

- 120 Volt. 20 AMP. 50/60 Hz
- Internal Power Strip with Surge Protection
- Power Conversion Available

# MERIDIAN

## THE PULSE

The Pulse is the central hub of information, the durable components are designed to operate year-round, even the harshest weather conditions. The Pulse is the one stop shop for digital signage and wayfinding while offering seamless self-service solutions around the clock.



### AVAILABLE COMPONENTS:

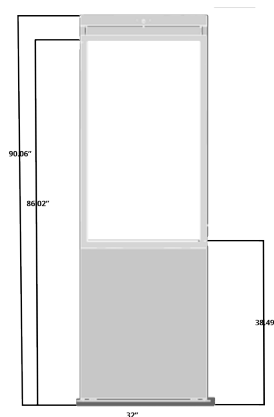
- Sunglasses Friendly - Circular Polarizer
- High Quality Outdoor Powder Coat
- WiFi and Cellular Connectivity
- Tamper Proof Security Locks
- Modular Side Panels
- Outdoor Speakers
- Proximity Sensor

### POWDER COAT COLOR OPTIONS:



Custom Pantone Matching Available  
Full Color Lexan Laminated Graphics Available

### SCREEN SIZE: 55"



### STANDARD CONSTRUCTION:

- Aluminum Frame & Chassis
- Tempered Anti-Reflective UV Glass
- Industrial Grade Computer
- Camera Options
- Modular Sides
- UPS Battery Backup

### DIMENSIONS:

Height: 92"                      Width: 41"  
Depth: 14"                      Weight: ~510 lbs  
Base Plate: 41" x 14"

\*Dimensions and drawings for other screen sizes available upon request

### SCREEN:

- High Definition LED
- 1920x1080P Resolution
- 16:9 Aspect Ratio

### POWER:

- 120 Volt. 20 AMP. 50/60 Hz
- Internal Power Strip with Surge Protection
- Power Conversion Available

For More Information

[SALES@MZERO.COM](mailto:SALES@MZERO.COM) | 866 454 6757

# MERIDIAN

## NAVIGATOR LITE

The Navigator Lite is a streamlined version of the Navigator, with the same sophisticated design and component versatility. The Navigator Lite offers a smaller form factor and rear access panels for easy and discrete maintenance.

### AVAILABLE COMPONENTS:

- Payment Terminal
- High Definition LED Touchscreen
- Additional Overhead Display
- Proximity Sensor
- HD Camera
- Barcode Scanner

### POWDER COAT COLOR OPTIONS:



Black Silver White Custom

Custom Pantone Matching Available  
Full Color Lexan Laminated Graphics Available

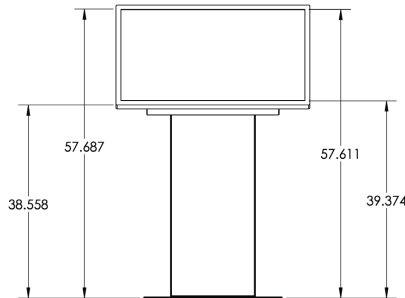
### SCREEN SIZE: 32"

Both landscape and portrait orientation available



32" Portrait

32" Landscape



32" Landscape

### STANDARD CONSTRUCTION:

- Durable Steel Enclosure
- High Quality Powder Coat
- Standard Security Locks
- Locking Rear Panel

### DIMENSIONS:

Height: 58"      Width: 39"  
Depth: 22"      Weight: ~180 lbs  
Base Plate: 22" x 28"

\*Dimensions and drawings for other screen sizes available upon request

### SCREEN:

- High Definition LED
- 1920x1080P Resolution
- 16:9 Aspect Ratio
- Dual Screen Options Available

### POWER:

- 120 Volt. 20 AMP. 50/60 Hz
- Internal Power Strip with Surge Protection
- Power Conversion Available

For More Information

[SALES@MZERO.COM](mailto:SALES@MZERO.COM) | 866 454 6757

# MERIDIAN

## G3

The slim design offers maximum audience reach while occupying limited space. Additional mobility features make the G3 ideal for all industries. The compact design fits into limited spaces while still offering users the same quality interactive experience.

### AVAILABLE COMPONENTS:

- Rugged Keyboard
- Payment Terminal
- WiFi or Cellular Connectivity
- All-In-One, Tablet, or Mini PC
- Barcode Scanner

### POWDER COAT COLOR OPTIONS:

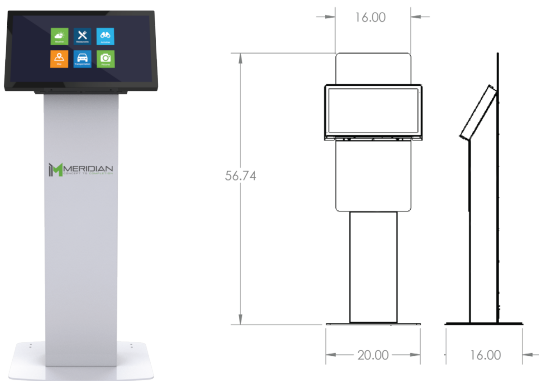


Black Silver White Custom

Custom Pantone Matching Available  
Full Color Lexan Laminated Graphics Available

### SCREEN SIZE: 22"

Both landscape and portrait orientation available



For More Information

[SALES@MZERO.COM](mailto:SALES@MZERO.COM) | 866 454 6757



22"  
Landscape

### STANDARD CONSTRUCTION:

- Durable Steel Enclosure
- PC-Solid State, i3, i5, or i7
- High Quality Powder Coat
- Standard Security Locks
- Front Access

### DIMENSIONS:

Height: 56.75"      Width: 16"  
Depth: 16"      Weight: ~95 lbs  
Base Plate: 20" x 16"

\*Dimensions and drawings for other screen sizes available upon request

### SCREEN:

- Screen Sizes available in microtouch

### POWER:

- 120 Volt. 20 AMP. 50/60 Hz
- Internal Power Conversion Available

## Corporate Headquarters

312 S. Pine Street,  
Aberdeen, NC 28315

+1 866-454-6757  
Sales@mzero.com

[Meridiankiosks.com](http://Meridiankiosks.com)

