



The Atlas

As Meridian's flagship drive-thru kiosk, the atlas creates a better ordering experience for customers. The atlas provides a secure payment terminal to protect customers from fraud, and digital menu boards to provide customers with updated menu options.



AVAILABLE COMPONENTS

- Credit Card Payment Terminal
- IP65 Rugged Keyboard + Trackball
- International Power Conversion
- Enhanced 7-Pin Tumbler Lock System
- WiFi and Cellular Connectivity
- Additional Overhead Display
- Thermal Printer
- Thermal Printer
- Laser Printer
- Bill Acceptor
- Barcode Scanner
- Card Dispenser
- Proximity Sensor
- HD Camera

Available Screen Sizes



22"

32"

42"

STANDARD CONSTRUCTION

- Durable 14 Gauge Steel Enclosure
- PC - Solid State Drive, i3, i5 ,or i7
- Outdoor Speakers
- High Quality Outdoor Rated Powder Coat
- Tamper Proof Security Locks
- Door Open Detector
- Front Access
- ADA Compliant

POWDER COAT OPTIONS



STANDARD OUTDOOR

Black, Grey, Grey Metallic, Hammered White

CUSTOM PANTONE MATCHING AVAILABLE



SCREEN

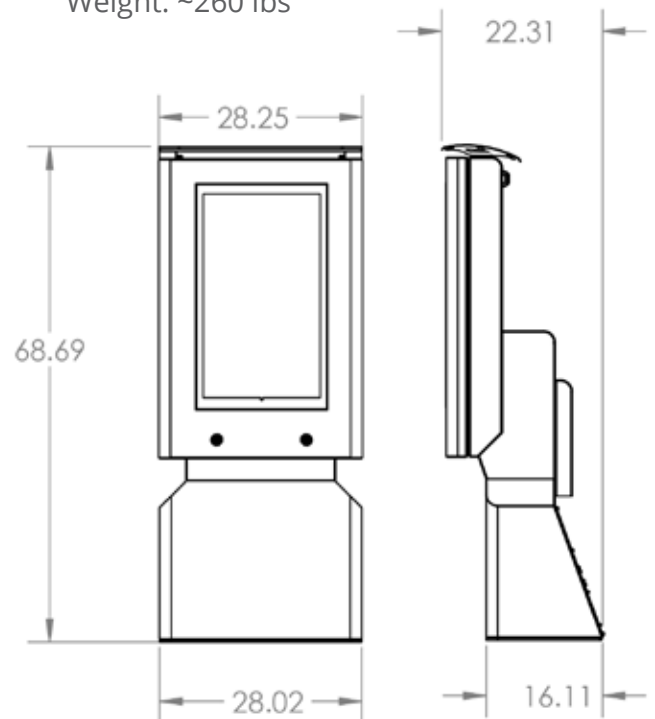
- High Definition LED
- 1920x1080P Resolution*
- 16:9 Aspect Ratio*

POWER

- 120 Volt, 20 AMP Circuit, 50/60 Hz
- Internal Power Strip with Surge Protection
- International Power Conversion Available

DIMENSIONS (32" UNIT*)

Height: 68.7"
Width: 28.25"
Depth: 22.31"
Base: 28 x 16"
Weight: ~260 lbs



**Dimensions and drawings for other screen sizes available upon request*

For More Information

SALES@MZERO.COM | 866 454 6757

A complete end-to-end self-service innovator, Meridian's turn-key solutions are designed and manufactured from our headquarters in North Carolina. By building all of our products from start to finish, we're able to provide greater efficiency and leaner, high-quality products faster than anyone else in the industry.



QUALITY + CERTIFICATION

Meridian promises a level of quality that goes beyond the expected. We control every step of our process from concept to completion, overseeing quality, design, cost and timelines. Our products can be UL Listed through UL self-certify and our processes are ISO 9001:2015.

