



G3 Countertop

Meridian's G3 Countertop unit provides big service in a small space. The countertop unit allows customers to interact with digital information and can integrate with multiple components to offer bill payment, barcode scanning, and much more. The G3 countertop can be placed directly on existing countertops or built to fit a custom structure.

STANDARD CONSTRUCTION

- Durable 14 Gauge Steel Enclosure
- All-In-One, Tablet or Mini PC
- High Quality Powder Coat Finish
- ADA Compliant

AVAILABLE COMPONENTS

- Credit Card Payment Terminal
- Barcode Scanner
- Rugged Keyboard and Trackball
- Swivel Base



The G3 Countertop kiosk is available with any size tablet and all-in-one computers up to 22."

SCREEN

- All-In-One Touch Screen or Tablet

POWDER COAT OPTIONS



STANDARD INDOOR

Black, Silver, White

STANDARD OUTDOOR

Black, Grey, Grey Metallic, Hammered White

CUSTOM PANTONE MATCHING AVAILABLE



Tablet enclosure shown.

POWER

- 120 Volt, 20 AMP Circuit, 50/60 Hz
- International Power Conversion Available

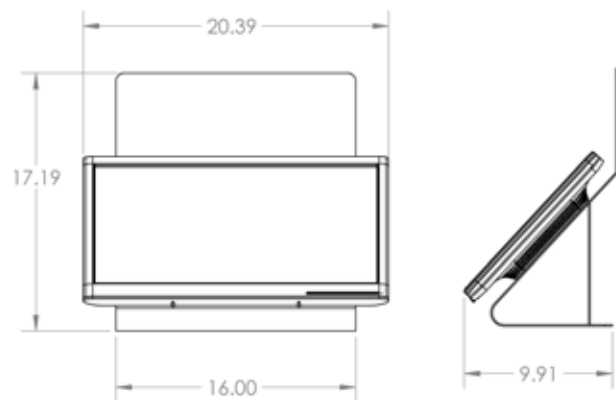
DIMENSIONS (22" UNIT*)

Height: 17.2"

Width: 20.4"

Depth: 9.9"

Weight: ~50 lbs



**Dimensions and drawings for other screen sizes available upon request*

For More Information

SALES@MZERO.COM | 866 454 6757

A complete end-to-end self-service innovator, Meridian's turn-key solutions are designed and manufactured from our headquarters in North Carolina. By building all of our products from start to finish, we're able to provide greater efficiency and leaner, high-quality products faster than anyone else in the industry.



QUALITY + CERTIFICATION

Meridian promises a level of quality that goes beyond the expected. We control every step of our process from concept to completion, overseeing quality, design, cost and timelines. Our products can be UL Listed through UL self-certify and our processes are ISO 9001:2015.

