



The RTS

One of Meridian's most customizable units, the RTS is designed for component versatility. Available in standard or ADA height with easy front access and mobility features, the RTS can easily accommodate multiple industries and use cases.

AVAILABLE COMPONENTS

- Credit Card Payment Terminal
- Rugged Keyboard & Trackball
- WiFi or Cellular Connectivity
- 7-Pin Tumbler Lock System
- Additional Overhead Display
- PC - Solid State, i3, i5, or i7
- Bill Acceptor
- Barcode Scanner
- Thermal Printer
- Laser Printer
- Card Dispenser
- Proximity Sensor
- HD Camera

Available Screen Sizes



17"

19"

22"

32"



STANDARD CONSTRUCTION

- Durable Steel Enclosure
- High Quality Powder Coat
- Standard Security Locks
- Front Access
- ADA Compliant

SCREEN

- High Definition LED
- 1920x1080P Resolution

POWDER COAT OPTIONS



STANDARD INDOOR

Black, Silver, White

STANDARD OUTDOOR

Black, Grey, Grey Metallic, Hammered White

CUSTOM PANTONE MATCHING AVAILABLE



Landscape and portrait orientation configurations available for 17-Inch, 19-Inch and 22-Inch screens.

DIMENSIONS (32" UNIT*)

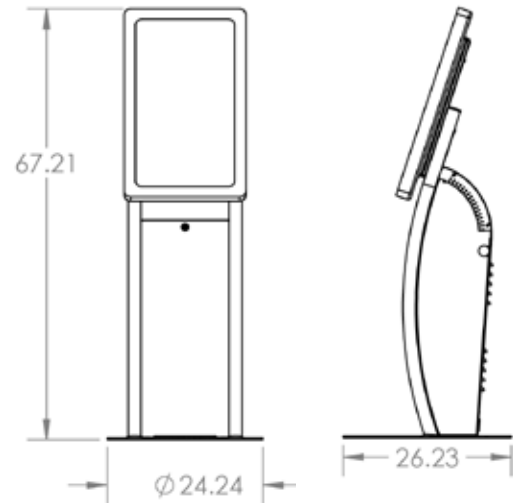
Height: 67.2"

Width: 24.25"

Depth: 26.25"

Base Plate: 24.25" x 26.25"

Weight: ~ 155 lbs



**Dimensions and drawings for other screen sizes available upon request*

POWER

- 120 Volt, 20 AMP Circuit, 50/60 Hz
- Internal Power Strip with Surge Protection
- International Power Conversion Available

For More Information

SALES@MZERO.COM | 866 454 6757

A complete end-to-end self-service innovator, Meridian's turn-key solutions are designed and manufactured from our headquarters in North Carolina. By building all of our products from start to finish, we're able to provide greater efficiency and leaner, high-quality products faster than anyone else in the industry.



QUALITY + CERTIFICATION

Meridian promises a level of quality that goes beyond the expected. We control every step of our process from concept to completion, overseeing quality, design, cost and timelines. Our products can be UL Listed through UL self-certify and our processes are ISO 9001:2015.

