



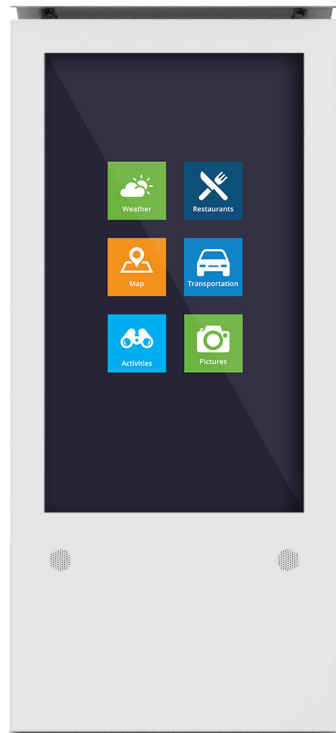
Outdoor VIC



VIRTUAL INFORMATION CENTER

VIC, the Virtual Information Center, features an aluminum core chassis with the ability to modify the look, feel and functionality of the unit using modular exterior panels.

The VIC is designed, engineered, fabricated, assembled and shipped from Meridian's ISO 9001:2015 certified facility in Aberdeen, North Carolina.



SCREEN

- High Definition LED Outdoor High Bright Screen
- 1920x1080P Resolution
- PCAP Multi-Point Touch

POWER

- 120 Volt, 20 AMP Circuit, 50/60 Hz
- Internal Power with Surge Protection
- International Power Conversion Available

AVAILABLE COMPONENTS

- Durable 14 Gauge Steel Enclosure
- PC - Solid State Drive, i3, i5 ,or i7
- High Quality Outdoor Powder Coat
- Tamper Proof Security Locks
- Outdoor Speakers
- Proximity Sensor
- Credit Card Payment Terminal
- IP65 Rugged Keyboard + Trackball
- WiFi and Cellular Connectivity
- International Power Conversion
- 7-Pin Tumbler Lock System
- Card Dispenser
- HD Camera
- Laser Printer
- Bill Acceptor
- Barcode Scanner
- Thermal Printer
- Modular Side Panels

OPTIONAL ADA PANEL

- Braille
- Audio Jack
- 911 Call Button
- Navigation Pad
- Telephone Keypad

SCREEN FEATURES

- Black Defect Free
- Sunglasses Friendly - Circular Polarizer (1/4 PF, C-POL)
- Low Power Consumption

DIMENSIONS (65" UNIT)

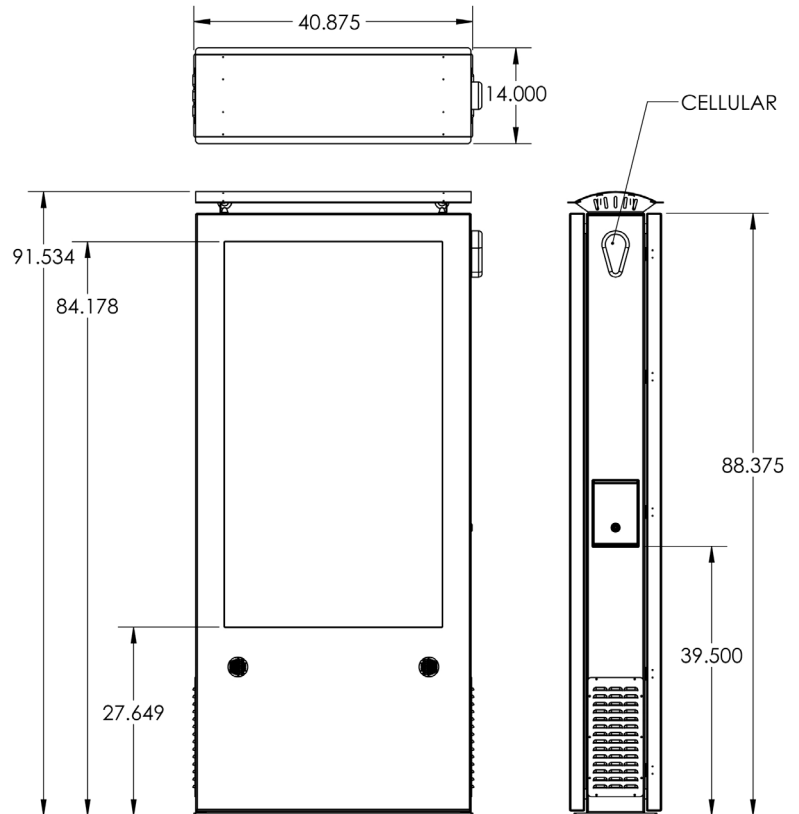
Height: 92" Tall

Width: 41" Wide

Depth: 14" Deep

Base: 41" x 14"

Weight: ~ 510 Pounds



KIOSK CONSTRUCTION

- Aluminum Frame + Chassis
- Tempered Anti-Reflective UV Glass
- Climate Control
- Industrial Grade Computer
- Camera Options
- Modular Sides
- UPS Battery Backup

POWDER COAT OPTIONS



STANDARD OUTDOOR
*Black, Flat Grey, Grey Metallic,
Hammered White*

CUSTOM PANTONE
MATCHING AVAILABLE



For More Information

SALES@MZERO.COM | 866 454 6757

A complete end-to-end self-service innovator, Meridian's turn-key solutions are designed and manufactured from our headquarters in North Carolina. By building all of our products from start to finish, we're able to provide greater efficiency and leaner, high-quality products faster than anyone else in the industry.



QUALITY + CERTIFICATION

Meridian promises a level of quality that goes beyond the expected. We control every step of our process from concept to completion, overseeing quality, design, cost and timelines. Our products can be UL Listed through UL self-certify and our processes are ISO 9001:2015.

