



# Evolution Series

The Meridian Evolution Series features an interchangeable head unit with multiple screen sizes and mounting options. Designed with flexibility in mind, the unit features a future-proof design for component flexibility. Integration is available with leading payment terminal, printer and scanner component manufacturers.

## Mounting Options



COUNTERTOP



FREESTANDING



WALL MOUNT

## AVAILABLE COMPONENTS

22-32" Touch Screen  
i5 or i7 Computer  
Honeywell Scanner  
Thermal Printer  
Ingenico IUC285 Payment Terminal

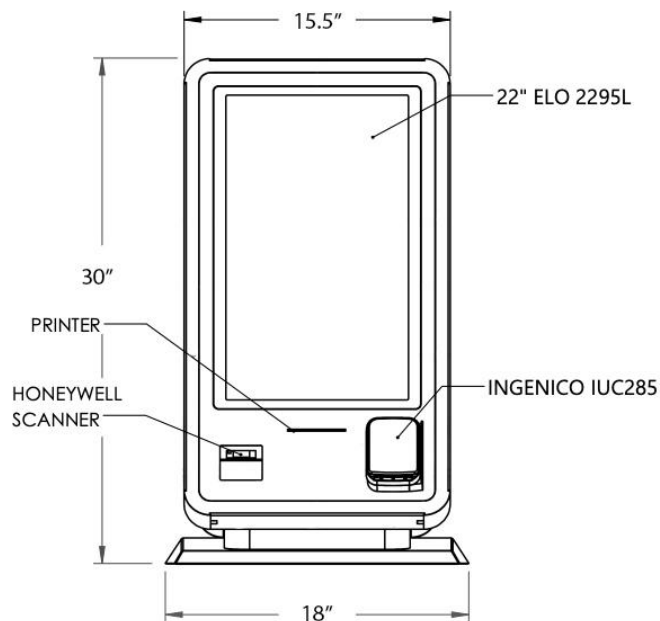
## POWER

120 Volt, 20 AMP, 50/60 Hz  
International Power Conversion Available  
Surge Protector

## DIMENSIONS

22" Head Unit  
Countertop Mount  
Height: 30"  
Width: 18"  
Depth: 16.5"

*\*Dimensions for other screen sizes available upon request.*

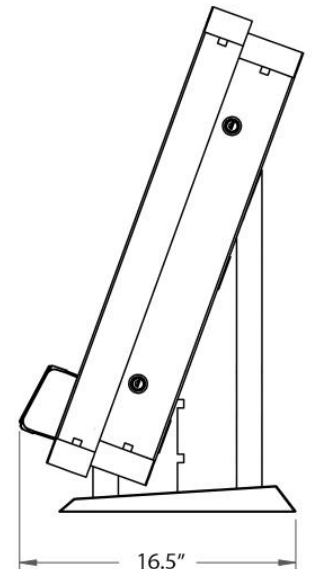


## POWDER COAT

The Evolution Series utilizes a combination of indoor gloss black, matte black and gloss white antimicrobial powder coat finishes. All powder coat is EPA approved, fade resistant, easily cleaned and contains no solvents or VOCs.

## AVAILABLE SCREEN SIZES

22", 27" or 32" Screens Available



## AS SEEN AT

**NRF<sup>2020</sup>  
VISION**  
RETAIL'S BIG SHOW

**SALES@MZERO.COM | 866 454 6757**

A complete end-to-end self-service innovator, Meridian's turn-key solutions are designed and manufactured from our headquarters in North Carolina. By building all of our products from start to finish, we're able to provide greater efficiency and leaner, high-quality products faster than anyone else in the industry.

**AR**  
**ADVANTAGE<sup>TM</sup>**  
**INTERNATIONAL REGISTRAR**  
ISO 9001:2015 Registered QMS