



# Evolution Series

The Meridian Evolution Series features an interchangeable head unit with multiple screen sizes and mounting options. Designed with flexibility in mind, the unit features a future-proof design for component flexibility. Integration is available with leading payment terminal, printer and scanner component manufacturers.



## Mounting Options



FREESTANDING



COUNTERTOP



WALL MOUNT

## AVAILABLE COMPONENTS

- 22-32" Touch Screen
- i5 or i7 Computer
- Honeywell Scanner
- Thermal Printer
- Ingenico IUC285 Payment Terminal

## STANDARD CONSTRUCTION

- Durable Steel Enclosure
- High Quality Powder Coat Finish
- Safety Hinges and Locks
- Front Access

## POWER

- 120 Volt, 20 AMP Circuit, 50/60 Hz
- International Power Conversion Available

## POWDER COAT

- The Evolution Series utilizes a combination of indoor gloss black, matte black and gloss white antimicrobial powder coat finishes.
- EPA approved
- Fade resistant
- No solvents or VOCs.

## AVAILABLE SCREEN SIZES

- 22", 27" or 32" Touch Screens Available.

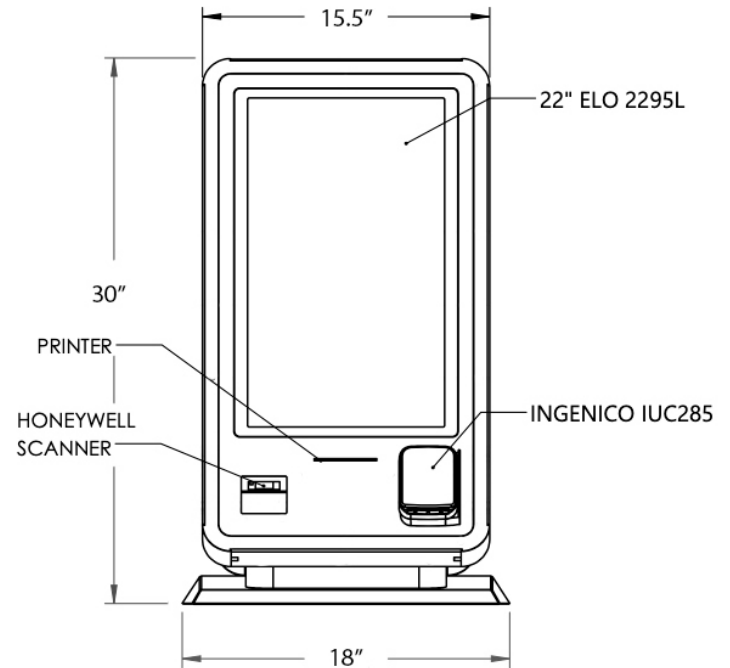
## DIMENSIONS (22" UNIT\*)

Height: 30"

Width: 18"

Depth: 16.5"

Base Plate: 18" x 14"



*\*Dimensions and drawings for other screen sizes available upon request*

## For More Information

[SALES@MZERO.COM](mailto:SALES@MZERO.COM) | 866 454 6757

A complete end-to-end self-service innovator, Meridian's turn-key solutions are designed and manufactured from our headquarters in North Carolina. By building all of our products from start to finish, we're able to provide greater efficiency and leaner, high-quality products faster than anyone else in the industry.



## QUALITY + CERTIFICATION

Meridian promises a level of quality that goes beyond the expected. We control every step of our process from concept to completion, overseeing quality, design, cost and timelines. Many of our products can be UL Listed through UL self-certify and our processes are ISO 9001:2015 certified.

