



# Navigator

The Navigator is Meridian's signature directory and wayfinding kiosk, offering sophisticated design and component versatility. The Navigator engages audiences and encourages user interaction with its angled screen.

## AVAILABLE COMPONENTS

- Credit Card Payment Terminal
- WiFi or Cellular Connectivity
- Additional Overhead Display
- 7-Pin Tumbler Lock System
- Rugged Keyboard & Trackball
- Thermal Printer
- Card Dispenser
- Proximity Sensor
- HD Camera
- Bill Acceptor
- Barcode Scanner
- Laser Printer

## Available Screen Sizes



22"

32"

42"



## SCREEN

- High Definition LED
- 1920x1080P Resolution
- 16:9 Aspect Ratio
- Landscape and Portrait Orientation Available

## STANDARD CONSTRUCTION

- Durable Steel Enclosure
- PC - Solid State, i3, i5 ,or i7
- High Quality Powder Coat
- Standard Security Locks, Front Access

## POWDER COAT OPTIONS



### STANDARD INDOOR

*Black, Silver, White*

### STANDARD OUTDOOR

*Black, Grey, Grey Metallic, Hammered White*

CUSTOM PANTONE MATCHING AVAILABLE



## POWER

- 120 Volt, 20 AMP, 50/60 Hz
- Internal Power Strip with Surge Protection
- Power Conversion Available

## DIMENSIONS (32" UNIT\*)

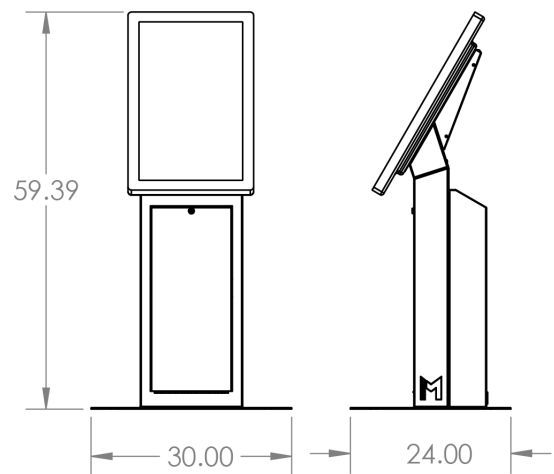
Height: 59.4"

Width: 30"

Depth: 24"

Base Plate: 30" x 24"

Weight: ~190 lbs



*\*Dimensions and drawings for other screen sizes available upon request. Landscape and portrait orientation available.*

## For More Information

[SALES@MZERO.COM](mailto:SALES@MZERO.COM) | 866 454 6757

A complete end-to-end self-service innovator, Meridian's turn-key solutions are designed and manufactured from our headquarters in North Carolina. By building all of our products from start to finish, we're able to provide greater efficiency and leaner, high-quality products faster than anyone else in the industry.



## QUALITY + CERTIFICATION

Meridian promises a level of quality that goes beyond the expected. We control every step of our process from concept to completion, overseeing quality, design, cost and timelines. Many of our products can be UL Listed through UL self-certify and our processes are ISO 9001:2015 certified.

