



OD Presenza

As Meridian’s flagship interactive digital signage kiosk, the Presenza provides a seamless combination of form and function. The Presenza is one of Meridian’s most popular units, designed to provide an outdoor unattended self-service presence for multiple use cases in a variety of industries.



Available Screen Sizes



17, 19"



22, 32"



46", 55", 60"

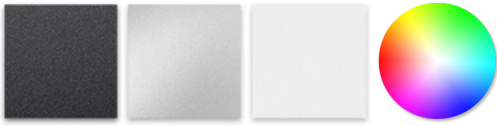


75", 80"

AVAILABLE COMPONENTS

- Durable 14 Gauge Steel Enclosure
- PC - Solid State Drive, i3, i5 ,or i7
- High Quality Outdoor Powder Coat
- Tamper Proof Security Locks
- Outdoor Speakers
- Proximity Sensor
- Credit Card Payment Terminal
- IP65 Rugged Keyboard + Trackball
- WiFi and Cellular Connectivity
- Additional Overhead Display
- International Power Conversion
- 7-Pin Tumbler Lock System
- Card Dispenser
- HD Camera
- Laser Printer
- Bill Acceptor
- Barcode Scanner
- Thermal Printer

POWDER COAT OPTIONS



STANDARD OUTDOOR

Black, Grey, Grey Metallic, Hammered White

CUSTOM PANTONE MATCHING AVAILABLE



SCREEN

- High Definition LED
- 1920x1080P Resolution*

**On most screen sizes and models. Request specifications for specific screen sizes.*

DIMENSIONS (55" UNIT*)

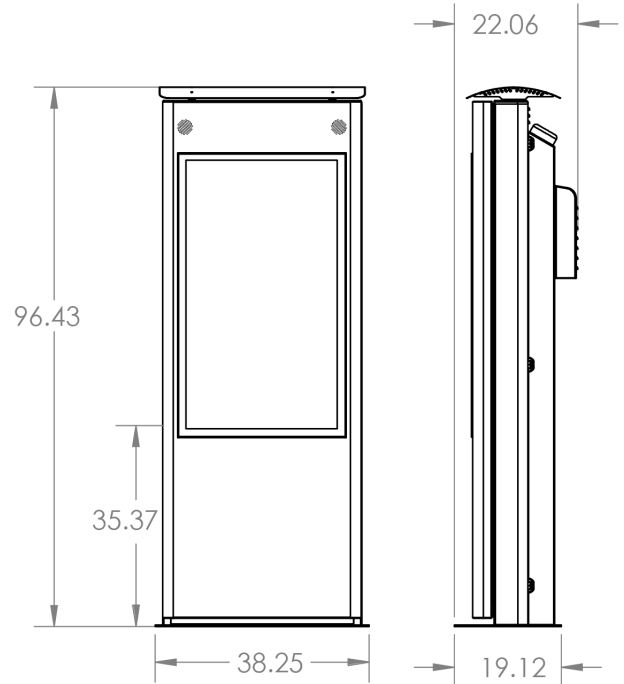
Height: 96.4"

Width: 38.25"

Depth: 22"

Base: 38.25 x 19.1"

Weight: ~ 525 lbs



**Dimensions for other screen sizes available upon request*

POWER

- 120 Volt, 20 AMP Circuit, 50/60 Hz
- Internal Power Strip with Surge Protection
- International Power Conversion Available

For More Information

SALES@MZERO.COM | 866 454 6757

A complete end-to-end self-service innovator, Meridian's turn-key solutions are designed and manufactured from our headquarters in North Carolina. By building all of our products from start to finish, we're able to provide greater efficiency and leaner, high-quality products faster than anyone else in the industry.



QUALITY + CERTIFICATION

Meridian promises a level of quality that goes beyond the expected. We control every step of our process from concept to completion, overseeing quality, design, cost and timelines. Many of our products can be UL Listed through UL self-certify and our processes are ISO 9001:2015 certified.

