



# iSeries

The iSeries' user-friendly features and flexibility in screen sizing create a powerful digital signage solution. The freestanding unit offers maximum branding opportunity with opposing dual screens to serve multiple audiences at once.



## Available Screen Sizes



17"



19"



22"

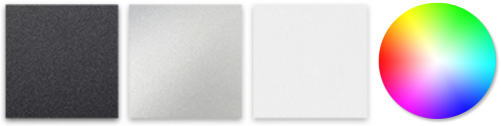
## AVAILABLE COMPONENTS

- PC - Solid State Drive, i3, i5 ,or i7
- Credit Card Payment Terminal
- Rugged Keyboard & Trackball
- WiFi or Cellular Connectivity
- Additional Overhead Display
- 7-Pin Tumbler Lock System
- Thermal Printer
- Laser Printer
- Bill Acceptor
- Barcode Scanner
- Card Dispenser
- Proximity Sensor
- HD Camera

## STANDARD CONSTRUCTION

- Durable Steel Enclosure
- High Quality Powder Coat Finish
- Standard Security Locks
- Front Access

## POWDER COAT OPTIONS



### STANDARD INDOOR

*Black, Silver, White*

### STANDARD OUTDOOR

*Black, Grey, Grey Metallic, Hammered White*

CUSTOM PANTONE MATCHING AVAILABLE



## DIMENSIONS (42" UNIT\*)

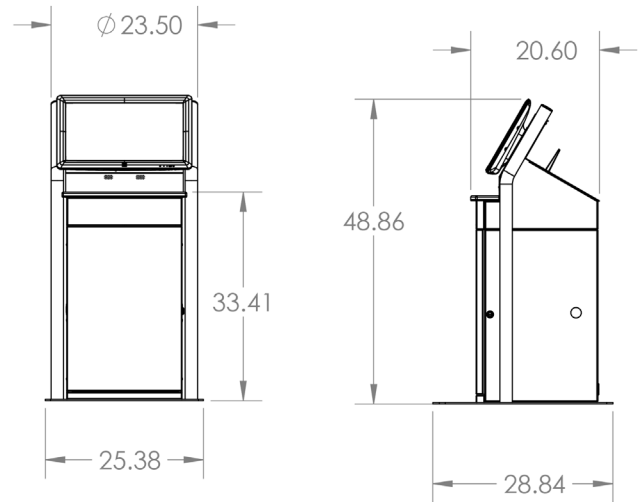
Height: 75.2"

Width: 28"

Depth: 16.25"

Base Plate: 28" x 16.25"

Weight: ~ 270 lbs



\*Dimensions for other screen sizes available upon request

## SCREEN

- High Definition LED
- 1920x1080P Resolution | 16:9 Aspect Ratio

## POWER

- 120 Volt, 20 AMP Circuit, 50/60 Hz
- Internal Power Strip with Surge Protection
- International Power Conversion Available

## For More Information

[SALES@MZERO.COM](mailto:SALES@MZERO.COM) | 866 454 6757

A complete end-to-end self-service innovator, Meridian's turn-key solutions are designed and manufactured from our headquarters in North Carolina. By building all of our products from start to finish, we're able to provide greater efficiency and leaner, high-quality products faster than anyone else in the industry.



## QUALITY + CERTIFICATION

Meridian promises a level of quality that goes beyond the expected. We control every step of our process from concept to completion, overseeing quality, design, cost and timelines. Many of our products can be UL Listed through UL self-certify and our processes are ISO 9001:2015 certified.

