

MERIDIAN

Q Series Countertop

The Q Series is designed with flexibility, offering component versatility and integration with leading payment devices. With available components for receipt printing, security, and other scanner capabilities the Evolution Lite offers an innovative and convenient way to provide quality service without having to increase the workload on staff.

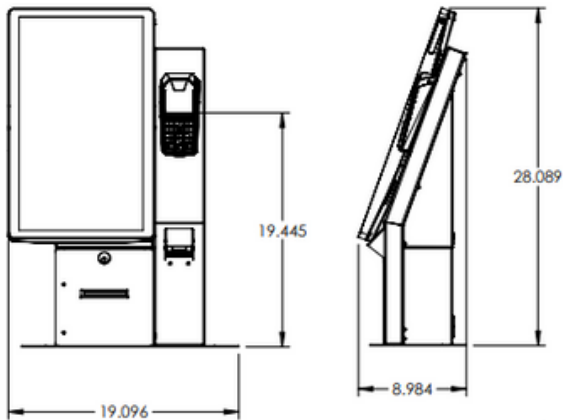


AVAILABLE COMPONENTS

- Thermal Receipt Printer
- Integrated Scanner
- Payment Devices
- Security Camera

DIMENSIONS

Height: 28.089" Depth:
8.984" Width: 19.096"
Weight: ~35 lbs



For More Information

SALES@MZERO.COM | 866 454 6757



Delivering American Made Self Service Solutions Since 1999

SCREEN

- High Definition LED
- 1920x1080P Resolution
- Interactive Touch Screen

SCREEN SIZE 21.5"

STANDARD COMPONENTS

- Durable Steel Enclosure
- High Quality Powder Coat
- Locking Front Access Panel

POWER

- 120 Volt, 20 AMP Circuit, 50/60 Hz
- Internal Power Strip with Surge Protection
- International Power Conversion Available

CUSTOMIZATION

Full Color Lexan Laminated Graphics Available



Meridian is a complete end-to-end self-service innovator, all of our products are designed and built in house, OEM solutions are available upon request.

